



Duct Connected -Low/Middle Static Pressure- FDUM

Model No.

FDUM22KXE6F	FDUM71KXE6F
FDUM28KXE6F	FDUM90KXE6F
FDUM36KXE6F	FDUM112KXE6F
FDUM45KXE6F	FDUM140KXE6F
FDUM56KXE6F	FDUM160KXE6F



Filter kit (option)

UM-FL1EF : for 22~56
 UM-FL2EF : for 71, 90
 UM-FL3EF : for 112, 140, 160



*Filter pressure loss:5pa

Remote control (option)

Wired



RC-EX3A RC-E5 RCH-E3

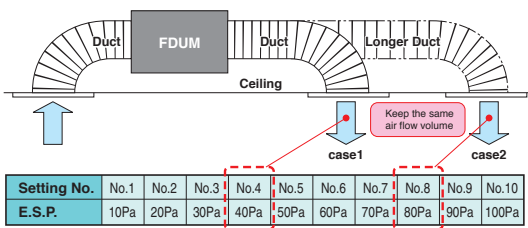
Wireless



RCN-KIT4-E2

Automatic external static pressure (E.S.P.) control

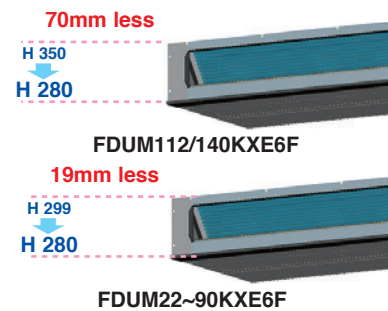
Duct design was simplified. Using DC motor, the most optimum air flow volume can be achieved by this automatic control. Indoor unit will recognize external static pressure by itself automatically and keep rated air flow volume.



E.S.P. button RC-E5
 External static pressure (E.S.P.) can be set by E.S.P. button.

Thin design

The height of all FDUM models is only 280mm.



Motion Sensor

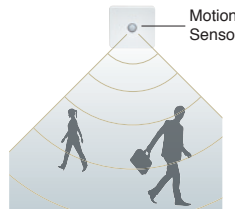
NEW

Motion sensor is equipped in the ceiling plane or wall plane and detects the presence/absence and activity of humans in a room to improve the comfort and energy saving performance of the unit.



LB-KIT

(Option)



Transparent inspection window

Dirt condition of the bottom of a drain pan can be checked through this transparent inspection window without removing drain pan. (Please refer to P74)

Specifications

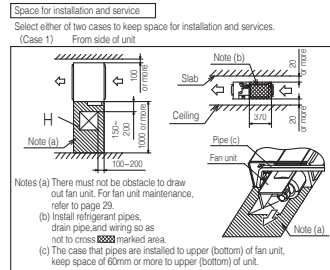
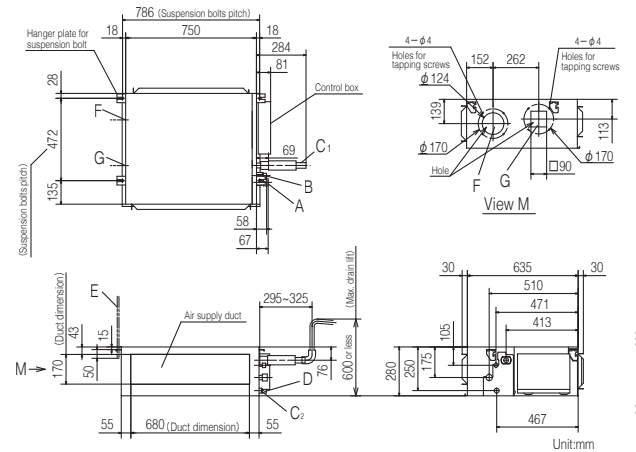
Item	Model	FDUM22KXE6F	FDUM28KXE6F	FDUM36KXE6F	FDUM45KXE6F	FDUM56KXE6F	FDUM71KXE6F	FDUM90KXE6F	FDUM112KXE6F	FDUM140KXE6F	FDUM160KXE6F	
Nominal cooling capacity	kW	2.2	2.8	3.6	4.5	5.6	7.1	9.0	11.2	14.0	16.0	
Nominal heating capacity	kW	2.5	3.2	4.0	5.0	6.3	8.0	10.0	12.5	16.0	18.0	
Power source		1 Phase 220-240V, 50Hz										
Power consumption	Cooling	0.10-0.10					0.20-0.20			0.29-0.29	0.33-0.33	0.45-0.45
	Heating	0.10-0.10					0.20-0.20			0.29-0.29	0.33-0.33	0.45-0.45
Sound power level	dB(A)	60					65			—		
Sound pressure level	dB(A)	P-Hi:37 Hi:32 Me:29 Lo:26					P-Hi:38 Hi:33 Me:29 Lo:25			P-Hi:44 Hi:38 Me:36 Lo:30	P-Hi:45 Hi:40 Me:34 Lo:29	P-Hi:47 Hi:40 Me:35 Lo:22
Exterior dimensions H x W x D	mm	280 x 750 x 635					280 x 950 x 635			280 x 1370 x 740		
Net weight	kg	29					34			54		
Air flow	m ³ /min	P-Hi:13 Hi:10 Me:9 Lo:8					P-Hi:24 Hi:19 Me:15 Lo:10			P-Hi:36 Hi:28 Me:25 Lo:19	P-Hi:39 Hi:32 Me:26 Lo:20	P-Hi:48 Hi:35 Me:28 Lo:22
Maximum external static pressure	Pa	100										
Outside air intake		Possible										
Air filter		Filter kit:UM-FL1EF/UM-FL2EF/UM-FL3EF(option)										
Remote control(option)		wired:RC-EX3A, RC-E5, RCH-E3 wireless:RCN-KIT4-E2										
Installation data Refrigerant piping size	mm(in)	Liquid line:ø6.35(1/4") Gas line:ø9.52(3/8")			Liquid line:ø6.35(1/4") Gas line:ø12.7(1/2")			Liquid line:ø9.52(3/8") Gas line:ø15.88(5/8")				

1. The data are measured under the following conditions(SO-T1). Cooling: Indoor temp. of 27°CDB, 19°CWB, and outdoor temp. of 35°CDB. Heating: Indoor temp. of 20°CDB, and outdoor temp. of 7°CDB, 6°CWB. External static pressure of indoor unit is 35Pa(22/28/36/45/56/71/90), 60Pa(112/140/160).
 2. Sound pressure level indicates the value in an anechoic chamber. During operation these values are somewhat higher due to ambient conditions.

Dimensions

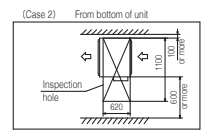
All measurements in mm.

FDUM22KXE6F, 28KXE6F, 36KXE6F, 45KXE6F, 56KXE6F

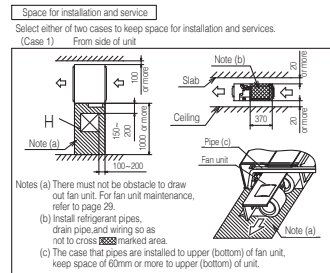
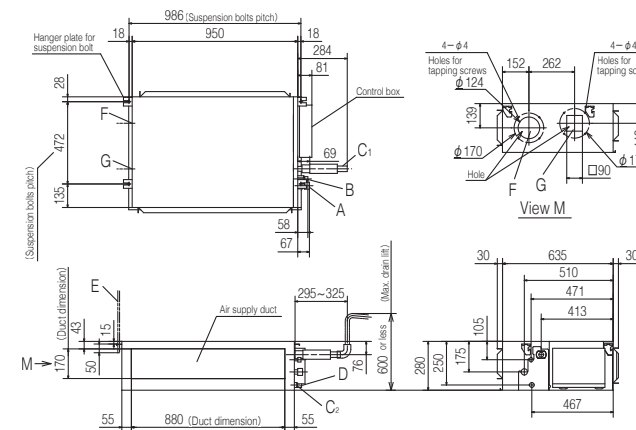


Symbol	Model	Content
A	Gas piping	φ 22.8
B	Liquid piping	φ 36.45.56
C1	Drain piping	φ 15.88(5/8") (Flare) φ 9.52(3/8") (Flare)
C2	Drain piping (Gravity drainage)	VP20 (I.D.20, O.D.26) (Standard) or VP25 (I.D.25, O.D.32) (Used with attached socket) Note (2)
D	Hole for wiring	
E	Suspension bolts	(M10)
F	Outside air opening for ducting	(φ 150) (Knock out)
G	Air outlet opening for ducting	(φ 125) (Knock out)
H	Inspection hole	(450X450)

Notes (1) The model name label is attached on the lid of the control box.
(2) Prepare the connecting socket (VP20 or VP25) on site.

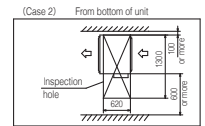


FDUM71KXE6F, 90KXE6F

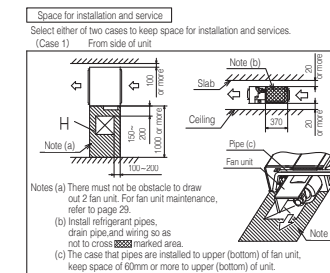
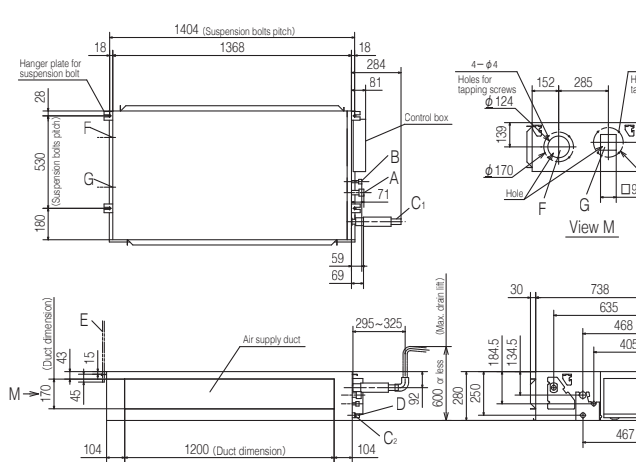


Symbol	Content	
A	Gas piping	φ 15.88(5/8") (Flare)
B	Liquid piping	φ 9.52(3/8") (Flare)
C1	Drain piping	VP20 (I.D.20, O.D.26) (Standard) or VP25 (I.D.25, O.D.32) (Used with attached socket) Note (2)
C2	Drain piping (Gravity drainage)	VP20 (I.D.20, O.D.26) (Standard) or VP25 (I.D.25, O.D.32) (Used with attached socket)
D	Hole for wiring	
E	Suspension bolts	(M10)
F	Outside air opening for ducting	(φ 150) (Knock out)
G	Air outlet opening for ducting	(φ 125) (Knock out)
H	Inspection hole	(450X450)

Notes (1) The model name label is attached on the lid of the control box.
(2) Prepare the connecting socket (VP20 or VP25) on site.

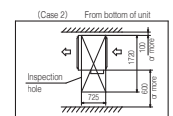


FDUM112KXE6F, 140KXE6F, 160KXE6F



Symbol	Content	
A	Gas piping	φ 15.88(5/8") (Flare)
B	Liquid piping	φ 9.52(3/8") (Flare)
C1	Drain piping	VP20 (I.D.20, O.D.26) (Standard) or VP25 (I.D.25, O.D.32) (Used with attached socket) Note (2)
C2	Drain piping (Gravity drainage)	VP20 (I.D.20, O.D.26) (Standard) or VP25 (I.D.25, O.D.32) (Used with attached socket)
D	Hole for wiring	
E	Suspension bolts	(M10)
F	Outside air opening for ducting	(φ 150) (Knock out)
G	Air outlet opening for ducting	(φ 125) (Knock out)
H	Inspection hole	(450X450)

Notes (1) The model name label is attached on the lid of the control box.
(2) Prepare the connecting socket (VP20 or VP25) on site.



Improvement of the serviceability

Fan unit (impeller and motor) can be pulled out from the right side or the bottom side of the unit. Maintenance can be available from the right side or the bottom side.

