



# Floor Standing -2way- FDFW

## Model No.

FDFW28KXE6F  
FDFW45KXE6F  
FDFW56KXE6F



## Auto air outlet selection



## Remote control (option)

Wired



RC-EX3A RC-E5 RCH-E3

Wireless



RCN-FW-E2

## Sophisticated Design

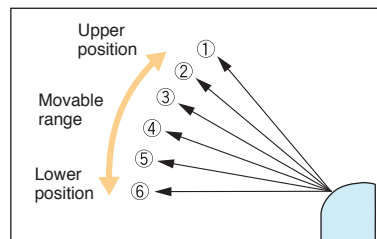
With an elegant semi flat front panel in stylish white, the new series fit in various kinds of rooms and create relaxing atmosphere. Choice of wall hanging, floor standing or behind gallery installation is available.

## Quiet Operation

Thanks to optimum balance of air outlet direction and sufficient air flow volume, the sound level has been minimized. The level of FDFW28KXE6F in the cooling lo mode is 30dB(A) only.

## Flap control system

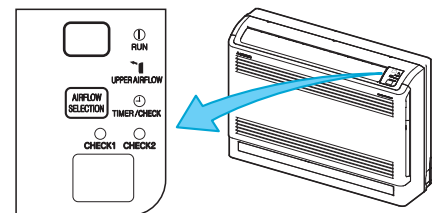
Selection of flap position is possible. A flap can be set at different angles.



\*The wireless remote control is not applicable to the flap control system.

## Convenient to use operation

Simultaneous lower and upper air outlets or upper outlet can be selected by air flow direction button. Further control can be arranged by a remote control.



(In case of use of wireless remote control)

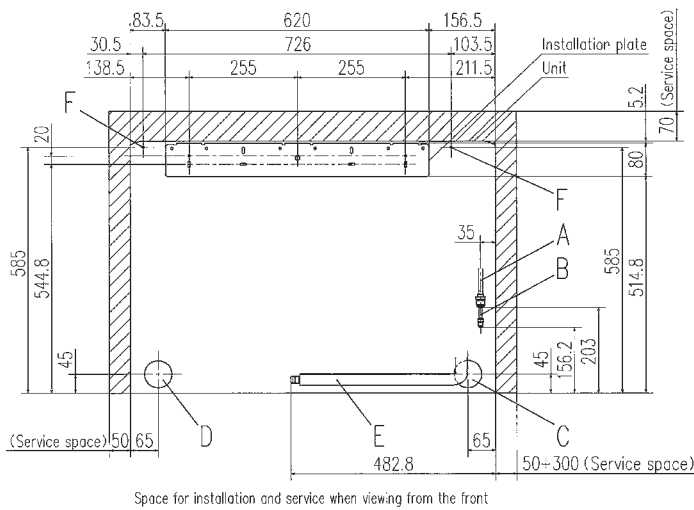
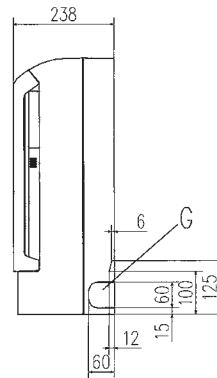
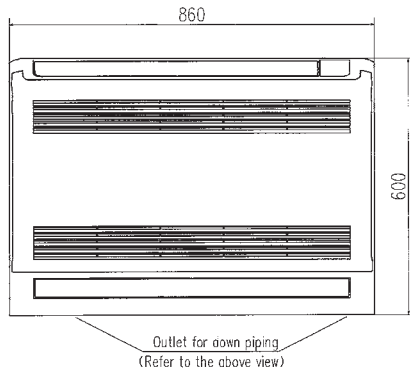
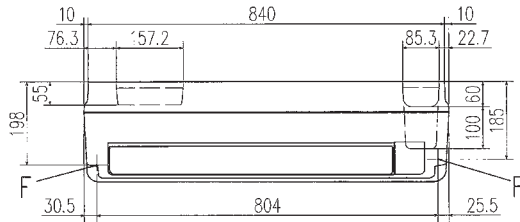
# Specifications

Item	Model	FDFW28KXE6F	FDFW45KXE6F	FDFW56KXE6F
Nominal cooling capacity	kW	2.8	4.5	5.6
Nominal heating capacity	kW	3.2	5.0	6.3
Power source		1 Phase 220-240V, 50Hz		
Power consumption	Cooling	0.02-0.02		0.03-0.03
	Heating	0.02-0.02		0.03-0.03
Sound power level	dB(A)	55	57	60
Sound pressure level	dB(A)	Hi:36 Me:34 Lo:30	Hi:38 Me:36 Lo:33	Hi:44 Me:37 Lo:33
Exterior dimensions H x W x D	mm	600x860x238		
Net weight	kg	19	20	
Air flow (Standard)	m <sup>3</sup> /min	Hi:9 Me:8 Lo:7		Hi:11 Me:9 Lo:8
Air filter, Q'ty		Polypropylene net x1 (Washable)		
Remote control(option)		wired:RC-EX3A, RC-E5, RCH-E3 wireless:RCN-FW-E2		
Installation data Refrigerant piping size	mm(in)	Liquid line:ø6.35(1/4") Gas line:ø9.52(3/8")		Liquid line:ø6.35(1/4") Gas line:ø12.7(1/2")

1. The data are measured under the following conditions(ISO-T1). Cooling: Indoor temp. of 27°CDB, 19°CWB, and outdoor temp. of 35°CDB. Heating: Indoor temp. of 20°CDB, and outdoor temp. of 7°CDB, 6°CWB.  
2. Sound pressure level indicates the value in an anechoic chamber. During operation these values are somewhat higher due to ambient conditions.

# Dimensions

All measurements in mm.



Space for installation and service when viewing from the front

Symbol	Content	
	Model	
A	Gas piping	FDPW28KXE6F $\phi 9.52 (3/8")$ (Flare)    FDPW45KXE6F, 56KXE6F $\phi 12.7 (1/2")$ (Flare)
B	Liquid piping	$\phi 6.35 (1/4")$ (Flare)
C	Hole on wall for right rear piping	$\phi 65$
D	Hole on wall for left rear piping	$\phi 65$
E	Drain hose	VP16 (I.D.16)
F	Screw point, fasten the indoor unit	$\phi 5$
G	Outlet for piping (on both side)	

**Notes**

- (1) The model name label is attached on the right side of the unit.
- (2) In case of wall installation, leave the unit 150mm or less from the floor.



# Floor Standing (with casing) FDFL

# Floor Standing (without casing) FDFU

### Remote control (option)

Wired



RC-EX3A

RC-E5

RCH-E3

Wireless



RCN-KIT4-E2

### Model No.

FDFL71KXE6F

FDFU28KXE6F

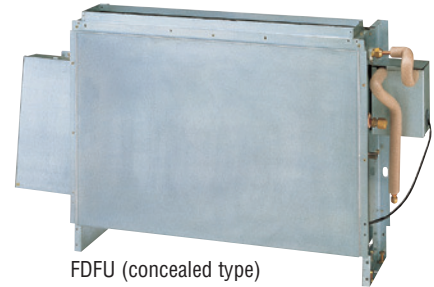
FDFU45KXE6F

FDFU56KXE6F

FDFU71KXE6F



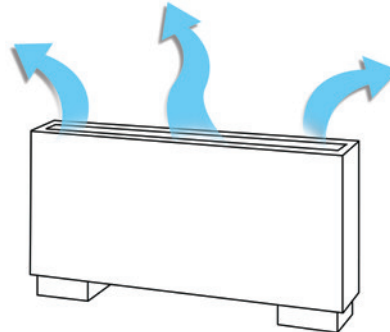
FDFL



FDFU (concealed type)



Compact design at 630mm height



Wider airflow for optimum comfort

## Specifications

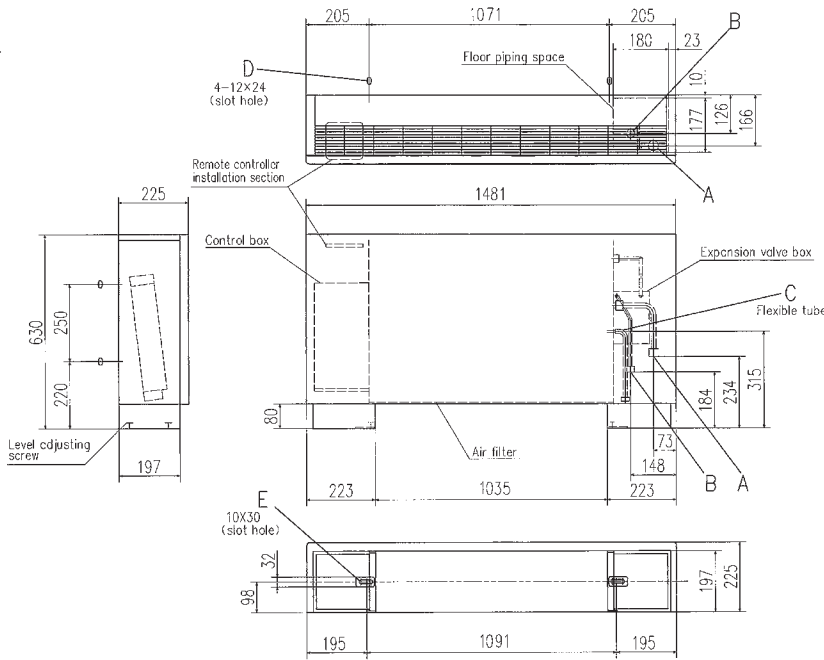
Item	Model	FDFL71KXE6F	FDFU28KXE6F	FDFU45KXE6F	FDFU56KXE6F	FDFU71KXE6F
Nominal cooling capacity	kW	7.1	2.8	4.5	5.6	7.1
Nominal heating capacity	kW	8.0	3.2	5.0	6.3	8.0
Power source		1 Phase 220-240V, 50Hz				
Power consumption	Cooling	0.09-0.10		0.09-0.10		
	Heating	0.09-0.10		0.09-0.10		
Sound power level	dB(A)	62	58	60		
Sound pressure level	dB(A)	Hi:43 Me:41 Lo:40	Hi:41 Me:38 Lo:36	Hi:43 Me:41 Lo:40		
Exterior dimensions H x W x D	mm	630x1481x225	630x1077x225			630x1362x225
Net weight	kg	40	25			32
Air flow (Standard)	m <sup>3</sup> /min	Hi:18 Me:15 Lo:12	Hi:12 Me:11 Lo:10	Hi:14 Me:12 Lo:10		Hi:18 Me:15 Lo:12
Air filter, Q'ty		Polypropylene net x1 (Washable)				
Remote control(option)		wired:RC-EX3A, RC-E5, RCH-E3 wireless:RCN-KIT4-E2				
Installation data Refrigerant piping size	mm(in)	Liquid line:ø9.52(3/8") Gas line:ø15.88(5/8")	Liquid line:ø6.35(1/4") Gas line:ø9.52(3/8")	Liquid line:ø6.35(1/4") Gas line:ø12.7(1/2")		Liquid line:ø9.52(3/8") Gas line:ø15.88(5/8")

1. The data are measured under the following conditions (ISO-T1). Cooling: Indoor temp. of 27°CDB, 19°CWB, and outdoor temp. of 35°CDB. Heating: Indoor temp. of 20°CDB, and outdoor temp. of 7°CDB, 6°CWB.  
2. Sound pressure level indicates the value in an anechoic chamber. During operation these values are somewhat higher due to ambient conditions.

# Dimensions

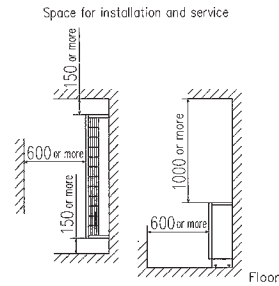
All measurements in mm.

## FDFL

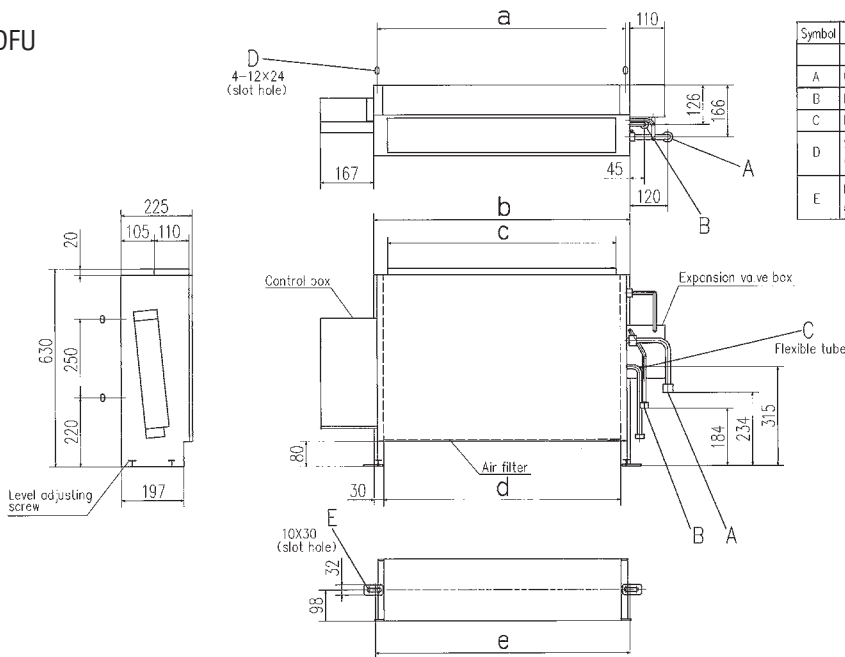


Symbol	Content	
Model	FDFL71KXE6F	
A	Gas piping (Accessory)	φ15.88 (5/8") (Flare)
B	Liquid piping	φ9.52 (3/8") (Flare)
C	Drain piping (Accessory)	PT20A female screw, 360mm
D	Slot hole for wall mounting	(M10)
E	Metal plate for floor mounting (Accessory)	(M8)

Note (1) The model name label is attached on the lid of the control box.

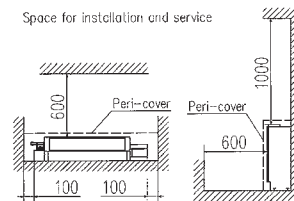


## FDFU



Symbol	Content		
Model	FDFU28KXE6F	FDFU45KXE6F, 56KXE6F	FDFU71KXE6F
A	Gas piping (Accessory)	φ9.52 (3/8") (Flare) / φ12.7 (1/2") (Flare)	φ15.88 (5/8") (Flare)
B	Liquid piping	φ6.35 (1/4") (Flare)	φ9.52 (3/8") (Flare)
C	Drain piping (Accessory)	PT20A female screw, 360mm	PT20A female screw, 360mm
D	Slot hole for wall mounting	(M10)	(M10)
E	Metal plate for floor mounting (Accessory)	(M8)	(M8)

Note (1) The model name label is attached on the lid of the control box.



## Dimension Table

Unit:mm

model	a	b	c	d	e
FDFU28KXE6F, 45KXE6F, 56KXE6F	786	810	722	750	806
FDFU71KXE6F	1071	1095	1007	1035	1091